



MU-35CL

Current Loop Panel Meter
3 1/2 Digit 0.3" LED
in a 1/32 DIN Case

A Multi-range, Easily-scaled, 4 to 20mA Current Loop Meter.

General Features

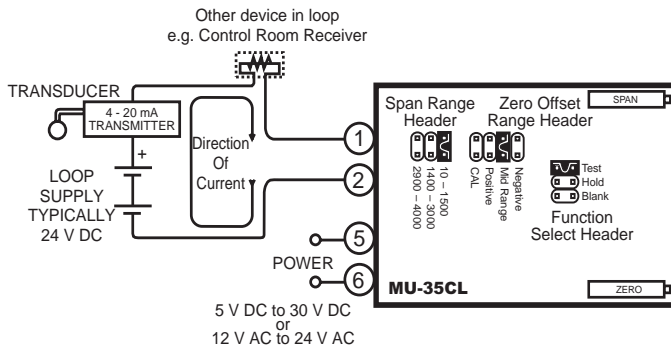
The MU-35CL is a miniature, streamlined 4 to 20 mA current loop meter. It is specifically designed to be easily user-scaled and calibrated to almost any conceivable engineering unit, such as temperature, pressure, viscosity or flow rates, etc., without requiring component changes.

On site scaling and recalibration is facilitated by multirange potentiometers that provide continuous adjustment within each of three header-programmable full scale ranges for span and zero offset. Display Hold, Display Blank and Display Test functions are also provided. The standard meters have a high efficiency red LED display. Green displays may also be specified. (See ordering information for available choices).

The MU-35CL interconnects by means of a push-on screw terminal that is provided with the meter. A high quality, internally isolated, wide range, switching supply is built into every MU-35CL meter. This allows the meter to operate from a wide range of AC or DC voltages. (See specifications.) The isolation ensures that ground loop currents do not affect the meter stability.

Typical Application Connections

4 to 20mA Loop Connection



Several devices may be connected in one current signal loop. Each device will have a voltage drop and the sum total of all voltage drops on the loop must not exceed the total loop power supply. The MU-35CL has a maximum voltage drop of 1.4 V at 20mA.

Compatibility

The MU-Series have a matching DIN case style that is complementary to the Lynx, Leopard and Tiger family of meters. MU-Meters are the OEM's choice for economical switchboard and process indication. For economy, each model is dedicated to a specific application and designed for quick and easy installation.



Specifications

- Input Configuration:**Series connection to 4-20 mA DC current loop
- Input Impedance:**1M minimum
- Full Scale Ranges:**Standard meter is adjustable to any scaling between -1999 to +1999 without component changes
- A/D Converter:**12 Bit Dual Slope
- Accuracy:**±(0.05% of reading + 2 digits)
- Temperature Coefficient:**100ppm/°C (Typical)
- Warm up Time:**One minute to specified accuracy
- Conversion Rate:**3 readings per second
- Display:**0.3" High Efficiency LED, optional non-functional right hand side dummy zero available
- Decimal Selection:**User programmable to 3 positions
- Over-range Indication:**If input exceeds full scale on any range being used, most significant "1" digit & polarity symbol display; all other digits blank.
- Power Supply:**5V DC to 30V DC or 12V AC to 24V AC Approximately 1.5 watts
- Operating Temperature:**0°C to +50°C
- Storage Temperature:**-20°C to +70°C
- Relative Humidity:**95% (non-condensing)
- Case Dimensions:**1/32 DIN (Bezel 48Wx24Hmm) Depth behind bezel (3.19") 81mm Plus (0.38") 9.5mm for connector
- Weight:**312 gms (11 oz) 397 gms (14 oz) when packed